

5.1V +12V REGULATOR WITH DISABLE AND RESET

- OUTPUT CURRENTS UP TO 1A
- FIXED PRECISION OUTPUT 1 VOLTAGE 5.1V +/- 2%
- FIXED PRECISION OUTPUT 2 VOLTAGE 12V +/- 2%
- OUTPUT 1 WITH RESET FACILITY
- OUTPUT 2 WITH DISABLE BY TTL INPUT
- SHORT CIRCUIT PROTECTION AT BOTH OUTPUTS
- THERMAL PROTECTION
- LOW DROP OUTPUT VOLTAGE
- AVAILABLE ALSO IN HEPTAWATT PACKAGE IN TWO VERSIONS : TDA8138A (DISABLE ONLY), TDA8138B (RESET ONLY)

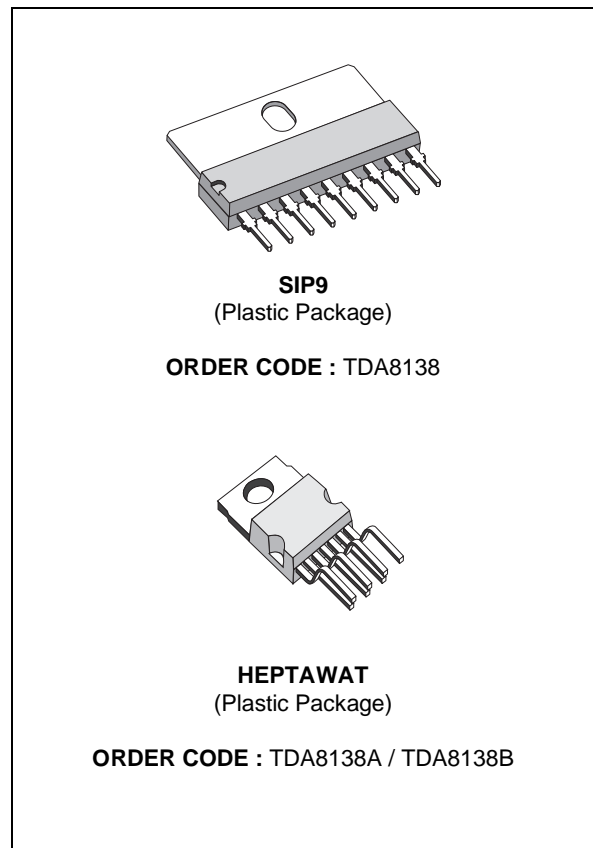
DESCRIPTION

The TDA8138 is a monolithic dual positive voltage regulator designed to provide fixed precision output voltages of 5.1V and 12V at currents up to 1A.

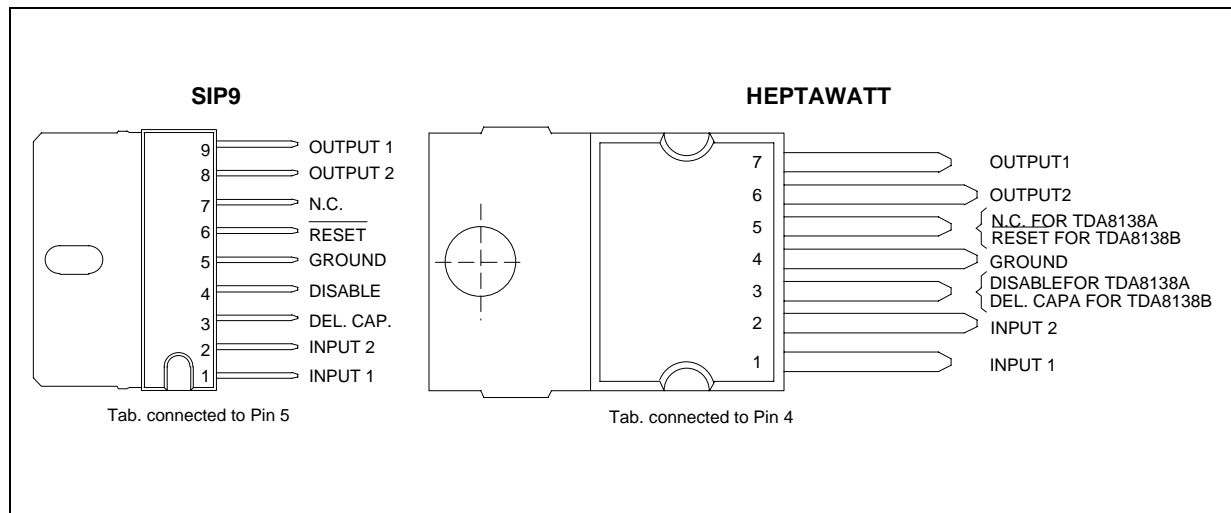
An internal reset circuit generates a reset pulse when the output 1 decrease below the regulated voltage value (for TDA8138 and TDA8138B).

Output 2 can be disabled by TTL input (for TDA8138 and TDA8138A).

Short circuit and thermal protections are included in all the versions.



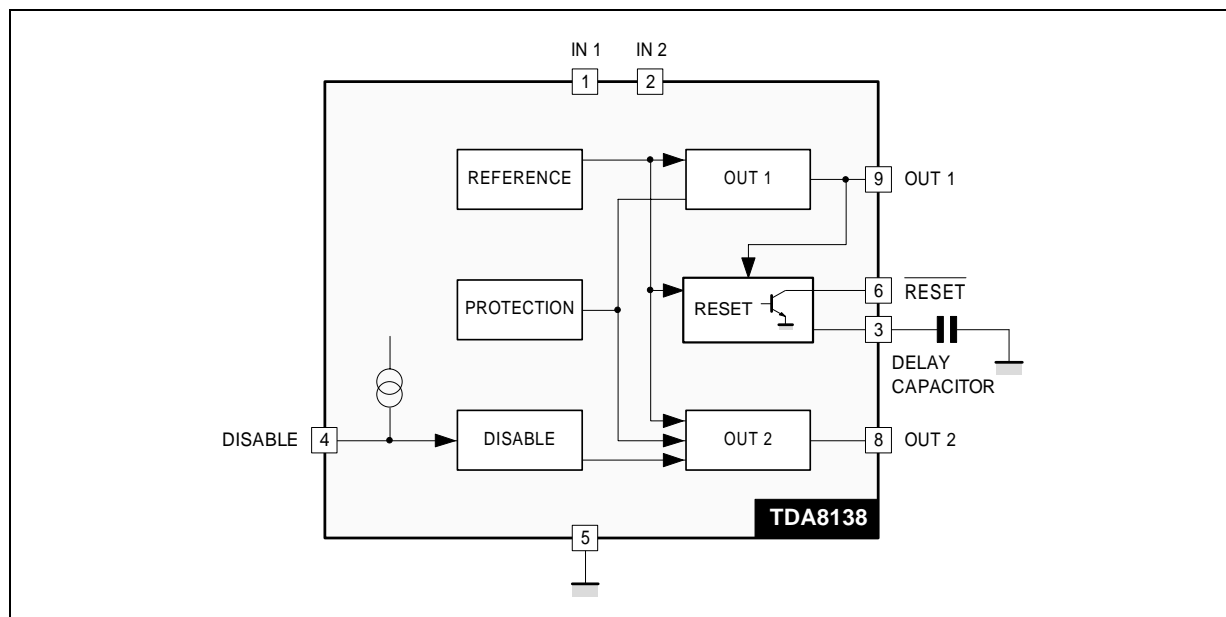
PIN CONNECTIONS



8138-01A.EPS - 8138-01B.EPS

TDA8138

BLOCK DIAGRAM (SIP9 package)



8138-02.EPS

ABSOLUTE MAXIMUM RATINGS

Symbol	Parameter	Value	Unit
V_{IN}	DC Input Voltage Pin 1	20	V
V_{DIS}	Disable Input Voltage Pin 3 (Heptawatt) or Pin 4 (SIP9)	20	V
V_{RST}	Output Voltage at Pin 6 (SIP9) or Pin 5 (Heptawatt)	20	V
$I_{O1,2}$	Output Currents	Internally Limited	
P_t	Power Dissipation	Internally Limited	
T_{stg}	Storage Temperature	-65 to +150	°C
T_j	Junction Temperature	0 to +150	°C

8138-01.TBL

THERMAL DATA

Symbol	Parameter	Value	Unit
$R_{th(j-c)}$	Maximum Thermal Resistance Junction-case for SIP9	8	°C/W
	Maximum Thermal Resistance Junction-case for Heptawatt	3	°C/W
$R_{th(j-a)}$	Maximum Thermal Resistance Junction-ambient for SIP9	60	°C/W
T_j	Maximum Recommended Junction Temperature	130	°C

8138-02.TBL

ELECTRICAL CHARACTERISTICS ($V_{IN1} = 7V$, $V_{IN2} = 14V$, $T_j = 25^\circ C$, unless otherwise specified)

Symbol	Parameter	Test Conditions	Min.	Typ.	Max.	Unit
V_{O1}	Output Voltage	$I_{O1} = 10mA$	5	5.1	5.2	V
V_{O2}	Output Voltage	$I_{O2} = 10mA$	11.76	12	12.24	V
V_{O1}	Output Voltage	$7V < V_{IN1} < 14V$ $14 < V_{IN2} < 18V$ $5mA < I_{O1,2} < 750mA$	4.9		5.3	V
V_{O2}	Output Voltage		11.5		12.5	V
$V_{IO1,2}$	Dropout Voltage	$I_{O1,2} = 750mA$ $I_{O1,2} = 1A$			1.4 2	V V
$V_{O1,2LI}$	Line Regulation	$7V < V_{IN1} < 14V$ $14 < V_{IN2} < 18V$ $I_{O1,2} = 200mA$			50 120	mV mV
$V_{O1,2LO}$	Load Regulation	$5mA < I_{O1} < 0.6A$ $5mA < I_{O2} < 0.6A$			100 250	mV mV
I_Q	Quiescent Current	$I_{O1} = 10mA$ Output 2 Disabled			2	mA
V_{O1RST}	Reset Threshhold Voltage	$K = V_{O1}$	$K - 0.4$	$K - 0.25$	$K - 0.1$	V
V_{RTH}	Reset Threshhold Hysteresis	See circuit description	20	50	75	mV
t_{RD}	Reset Pulse Delay	$C_e = 100nF$ See circuit description		25		ms
V_{RL}	Saturation Voltage in Reset Condition	$I_5 = 5mA$			0.4	V
I_{RH}	Leakage Current in Normal Condition (at Pin 6 for SIP9 or Pin 5 for Heptawatt)	$V_5 = 10V$			10	μA
$K_{O1,2}$	Output Voltage Thermal Drift	$T_j = 0 \text{ to } 125^\circ C$ $K_O = \frac{\Delta V_O \cdot 10^6}{\Delta T \cdot V_O}$		100		ppm/ $^\circ C$
$I_{O1,2SC}$	Short Circuit Output Current	$V_{IN1} = 7V$, $V_{IN2} = 14V$ $V_{IN1,2} = 16V$ (see Note)			1.6 1	A A
V_{DISH}	Disable Voltage High (out 2 active)		2			V
V_{DISL}	Disable Voltage Low (out 2 disabled)				0.8	V
I_{DIS}	Disable Bias Current	$0V < V_{DIS} < 7V$	-100		2	μA
T_{jSD}	Junction Temperature for Thermal Shut Down			145		$^\circ C$

8138-03.TBL

Note : Safe permanent short-circuit is only guaranteed for input voltages up to 16V.

CIRCUIT DESCRIPTION

The TDA8138 is a dual voltage regulator with Reset and Disable (TDA8138A : Disable only, TDA8138B : Reset only).

The two regulation parts are supplied from one voltage reference circuit trimmed by zener zap during EWS test.

Since the supply voltage of this last is connected at Pin 1 (V_{IN1}), the regulator 2 will not work if Pin 1 is not supplied.

The outputs stage have been realized in darlington configuration with a drop typical 1.2V.

The disable circuit, switch-off the output 2 if a voltage lower than 0.8V is applied at Pin 3

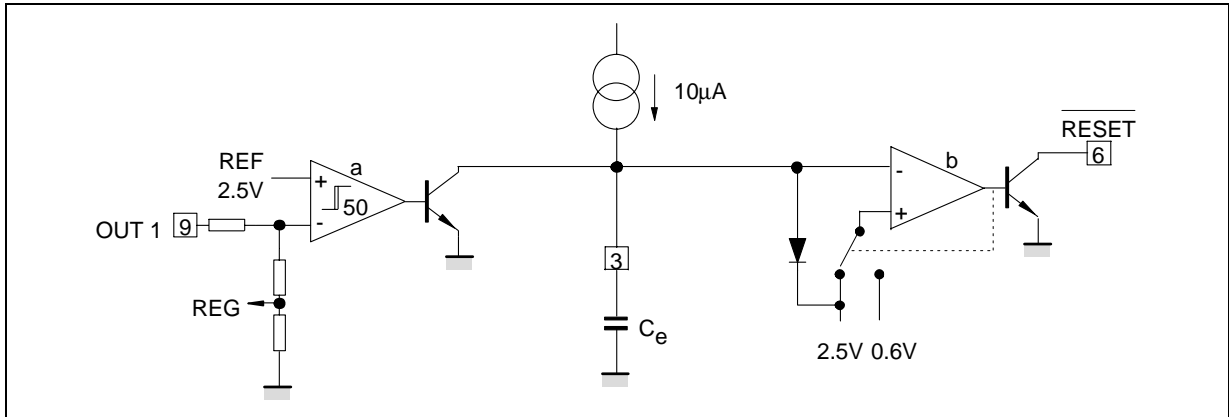
(Heptawatt) or Pin 4 (SIP9)

The Reset circuit checks the voltage at the output 1. If this one goes below $V_{OUT} - 0.25V$ (4.85V typ.), the comparator "a" (see Figure 1) discharges rapidly the capacitor C_e and the reset output goes at once Low. When the voltage at the out1 rises above $V_{OUT} - 0.2V$ (4.9V typ.), the voltage V_{Ce} increases linearly to 2.5V corresponding to a delay

t_d following the law : $t_1 = \frac{C_e \cdot 2.5V}{10\mu A}$ (see Figure 2),

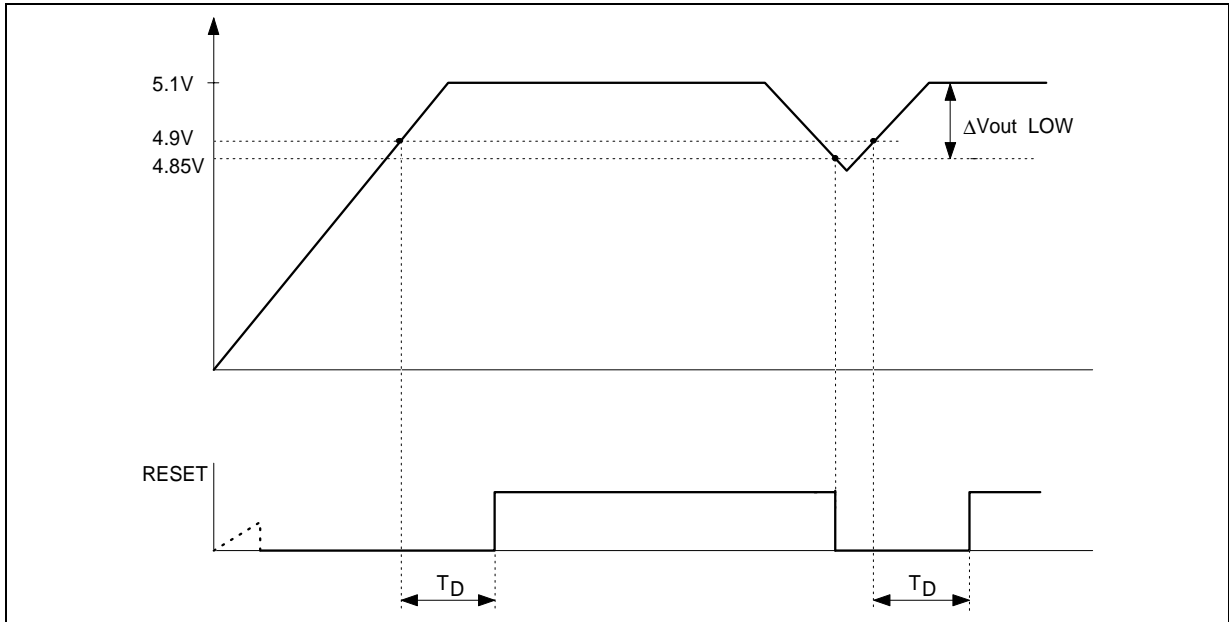
then the reset output goes high again. To avoid glitches in the reset output, the second comparator "b" has a large hysteresis (1.9V).

Figure 1



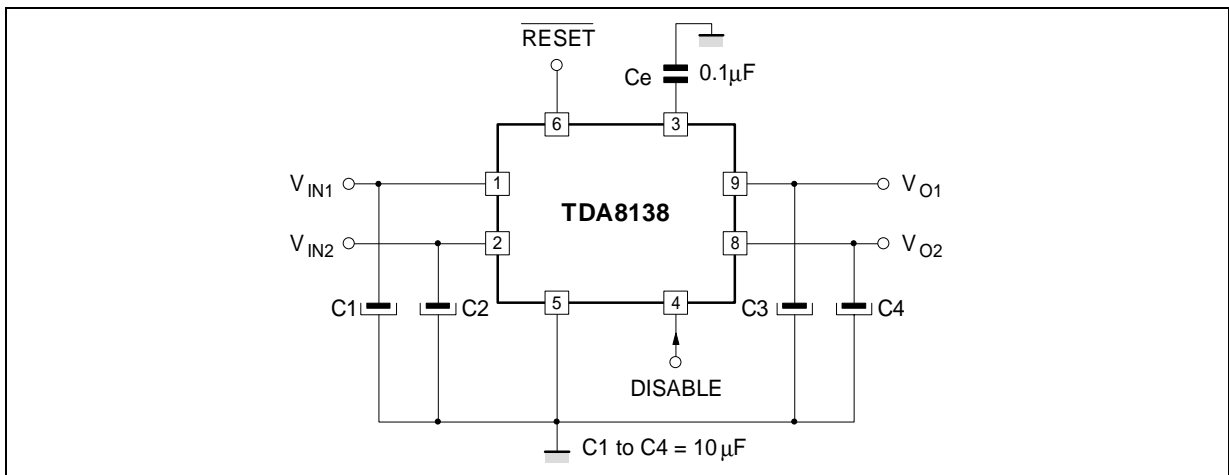
8138-03.EPS

Figure 2

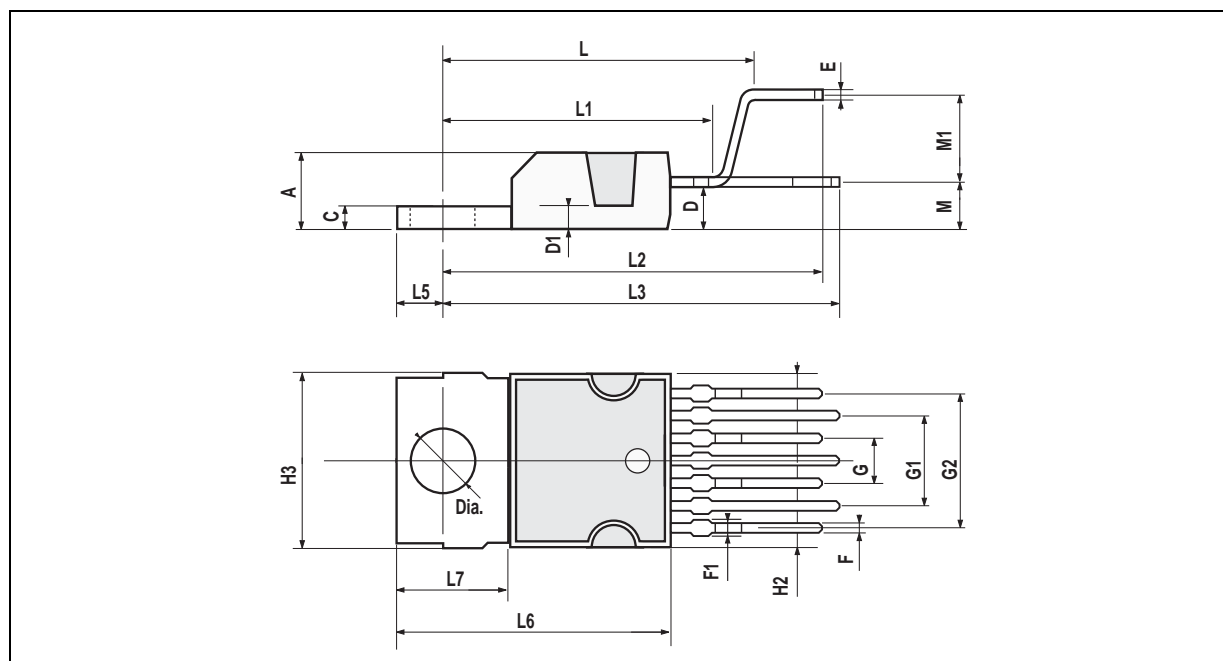


8138-04.EPS

TYPICAL APPLICATION (SIP9 package)



8138-05.EPS

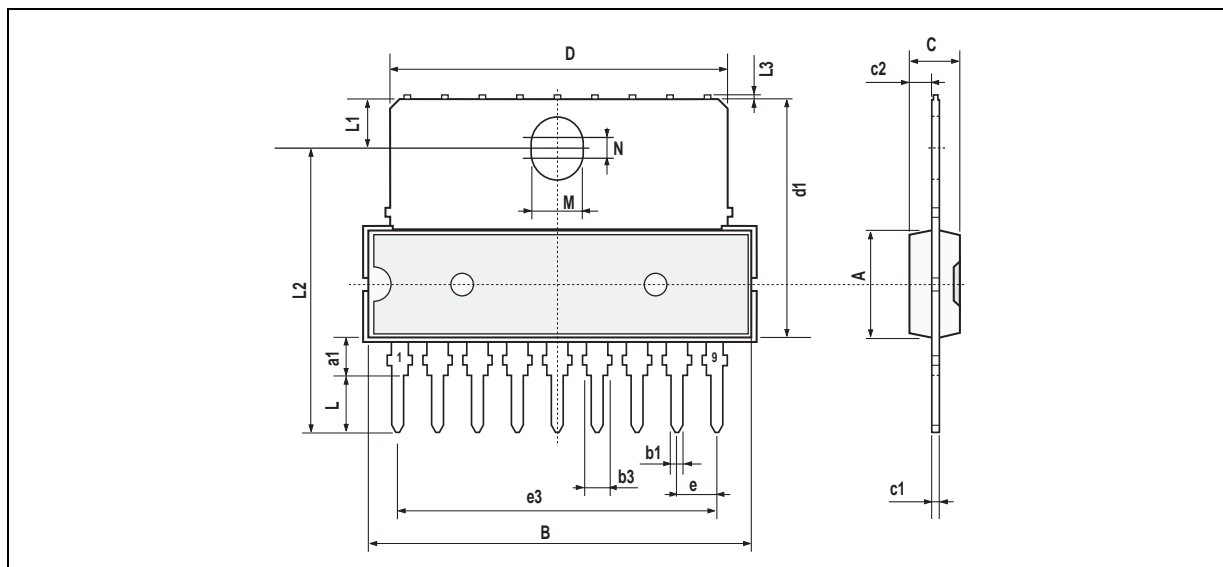
PACKAGE MECHANICAL DATA
 9 PINS - PLASTIC HEPTAWATT


PM-HEPTV.EPS

Dimensions	Millimeters			Inches		
	Min.	Typ.	Max.	Min.	Typ.	Max.
A			4.8			0.189
C			1.37			0.054
D	2.4		2.8	0.094		0.110
D1	1.2		1.35	0.047		0.053
E	0.35		0.55	0.014		0.022
F	0.6		0.8	0.024		0.031
F1			0.9			0.035
G	2.41	2.54	2.67	0.095	0.100	0.105
G1	4.91	5.08	5.21	0.193	0.200	0.205
G2	7.49	7.62	7.8	0.295	0.300	0.307
H2			10.4			0.409
H3	10.05		10.4	0.396		0.409
L		16.97			0.668	
L1		14.92			0.587	
L2		21.54			0.848	
L3		22.62			0.891	
L5	2.6		3	0.102		0.118
L6	15.1		15.8	0.594		0.622
L7	6		6.6	0.236		0.260
M		2.8			0.110	
M1		5.08			0.200	
Dia.	3.65		3.85	0.144		0.152

HEPTV.TEL

PACKAGE MECHANICAL DATA
9 PINS - PLASTIC SIP



PM-SIP9.EPS

Dimensions	Millimeters			Inches		
	Min.	Typ.	Max.	Min.	Typ.	Max.
A			7.1			0.280
a1	2.7		3	0.106		0.118
B			24.8			0.976
b1		0.5			0.020	
b3	0.85		1.6	0.033		0.063
C		3.3			0.130	
c1		0.43			0.017	
c2		1.32			0.052	
D			21.2			0.835
d1		14.5			0.571	
e		2.54			0.100	
e3		20.32			0.800	
L	3.1			0.122		
L1		3			0.118	
L2		17.6			0.693	
L3			0.25			0.010
M		3.2			0.126	

SIP9.TBL

Information furnished is believed to be accurate and reliable. However, SGS-THOMSON Microelectronics assumes no responsibility for the consequences of use of such information nor for any infringement of patents or other rights of third parties which may result from its use. No licence is granted by implication or otherwise under any patent or patent rights of SGS-THOMSON Microelectronics. Specifications mentioned in this publication are subject to change without notice. This publication supersedes and replaces all information previously supplied. SGS-THOMSON Microelectronics products are not authorized for use as critical components in life support devices or systems without express written approval of SGS-THOMSON Microelectronics.

© 1994 SGS-THOMSON Microelectronics - All Rights Reserved

Purchase of I²C Components of SGS-THOMSON Microelectronics, conveys a license under the Philips I²C Patent. Rights to use these components in a I²C system, is granted provided that the system conforms to the I²C Standard Specifications as defined by Philips.

SGS-THOMSON Microelectronics GROUP OF COMPANIES

Australia - Brazil - China - France - Germany - Hong Kong - Italy - Japan - Korea - Malaysia - Malta - Morocco
The Netherlands - Singapore - Spain - Sweden - Switzerland - Taiwan - Thailand - United Kingdom - U.S.A.