



NPN TRIPLE DIFFUSED PLANAR SILICON TRANSISTOR

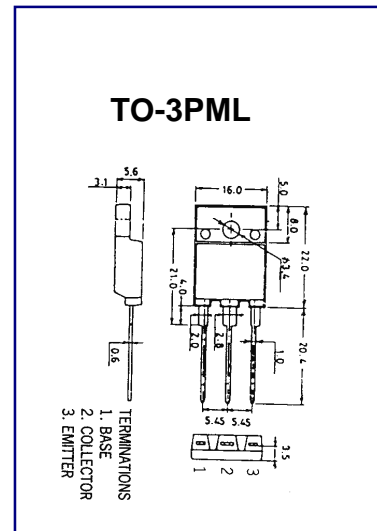
2SD1651

**COLOR TV HORIZONTAL OUTPUT
APPLICATIONS(Damper Diode BUILT IN)**

- High Collector-Base Voltage($V_{CBO}=1500V$)
- High Speed Switching

ABSOLUTE MAXIMUM RATINGS ($T_A=25^\circ C$)

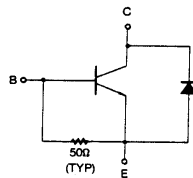
Characteristic	Symbol	Rating	Unit
Collector-Base Voltage	V_{CBO}	1500	V
Collector-Emitter Voltage	V_{CEO}	1500	V
Emitter-Base voltage	V_{EBO}	6	V
Collector Current (DC)	I_C	5	A
Collector Dissipation ($T_c=25^\circ C$)	P_C	50	W
Junction Temperature	T_j	150	$^\circ C$
Storage Temperature	T_{stg}	-50~150	$^\circ C$



ELECTRICAL CHARACTERISTICS ($T_A=25^\circ C$)

Characteristic	Symbol	Test Condition	Min	Typ	Max	Unit
Collector- Emitter Cutoff Current($V_{BE}=0$)	I_{CES}	$V_{CE}=1400V$,			1.0	mA
Collector Cutoff Current	I_{CBO}	$R_{BE}=0$			10	μA
Emitter Cutoff Current	I_{EBO}	$V_{CB}=800V$, $I_E=0$			1.0	mA
DC Current Gain	hFE	$V_{EB}=4V$, $I_C=0$	8			
Collector- Emitter Saturation Voltage	$V_{CE(sat)}$	$V_{CE}=5V$, $I_C=1A$ $I_C=4A$, $I_B=0.8A$			5.0	V

-EQUIVALENT CIRCUIT



-SWITCHING TIME TEST CIRCUIT

